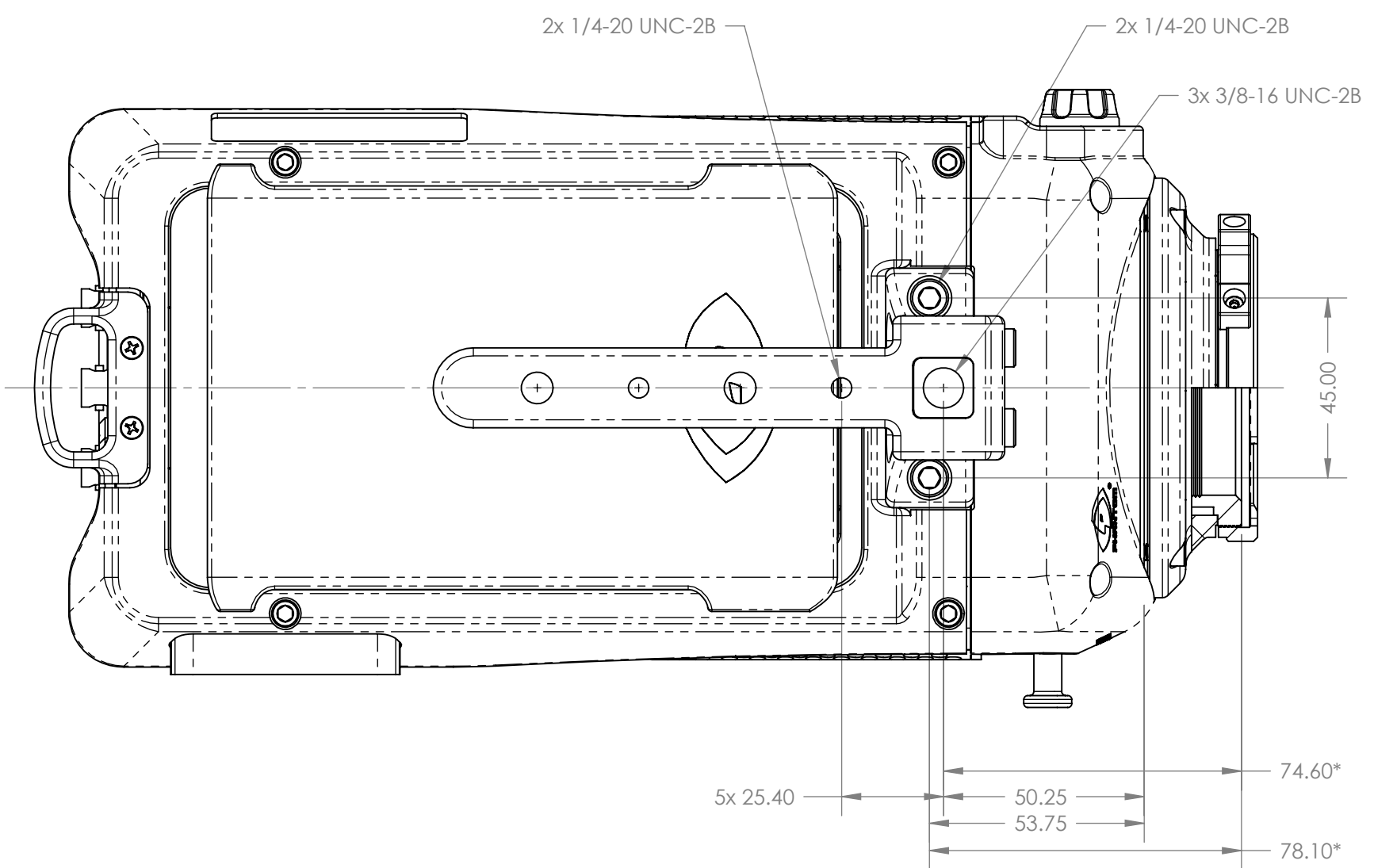
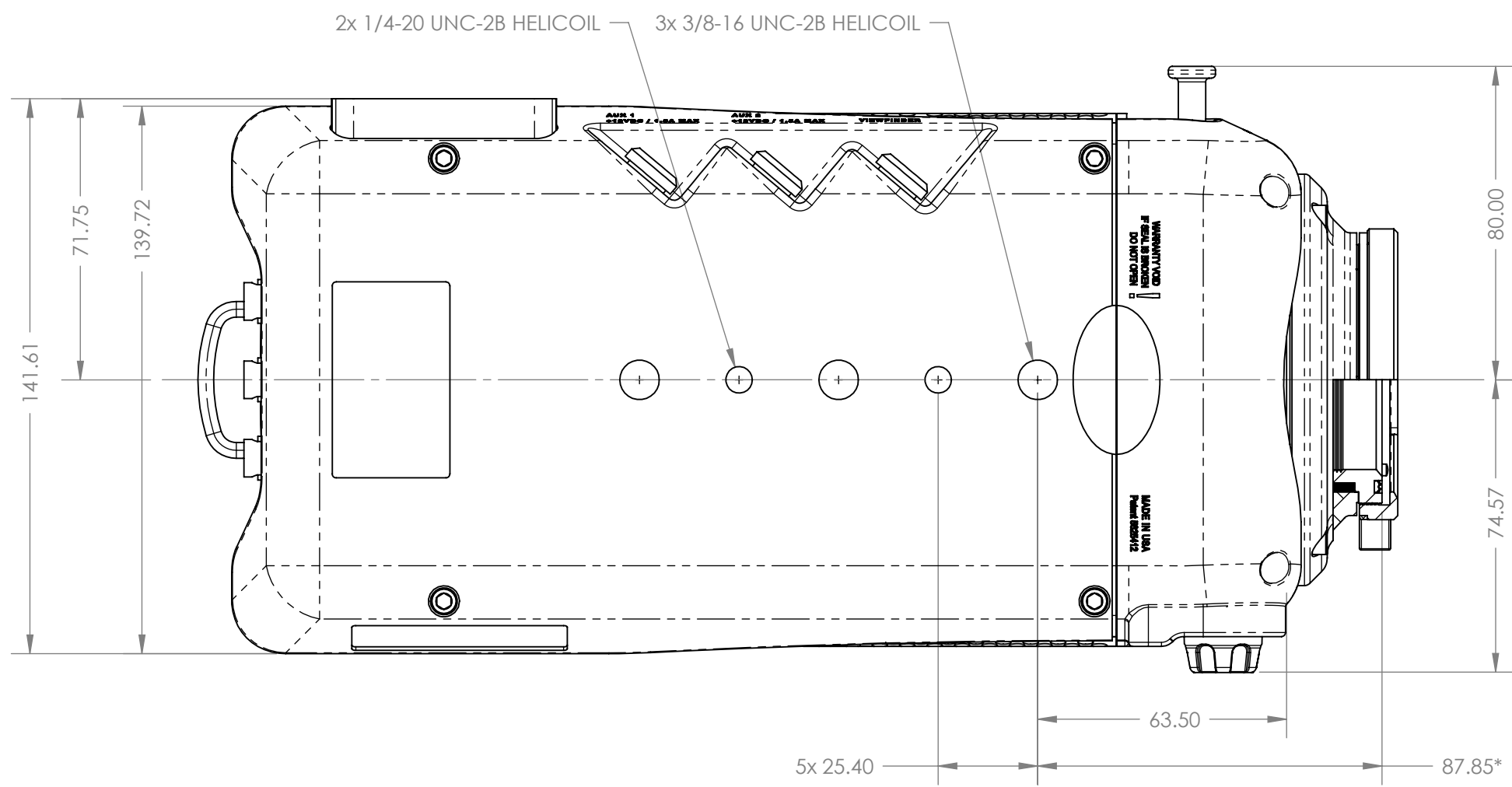


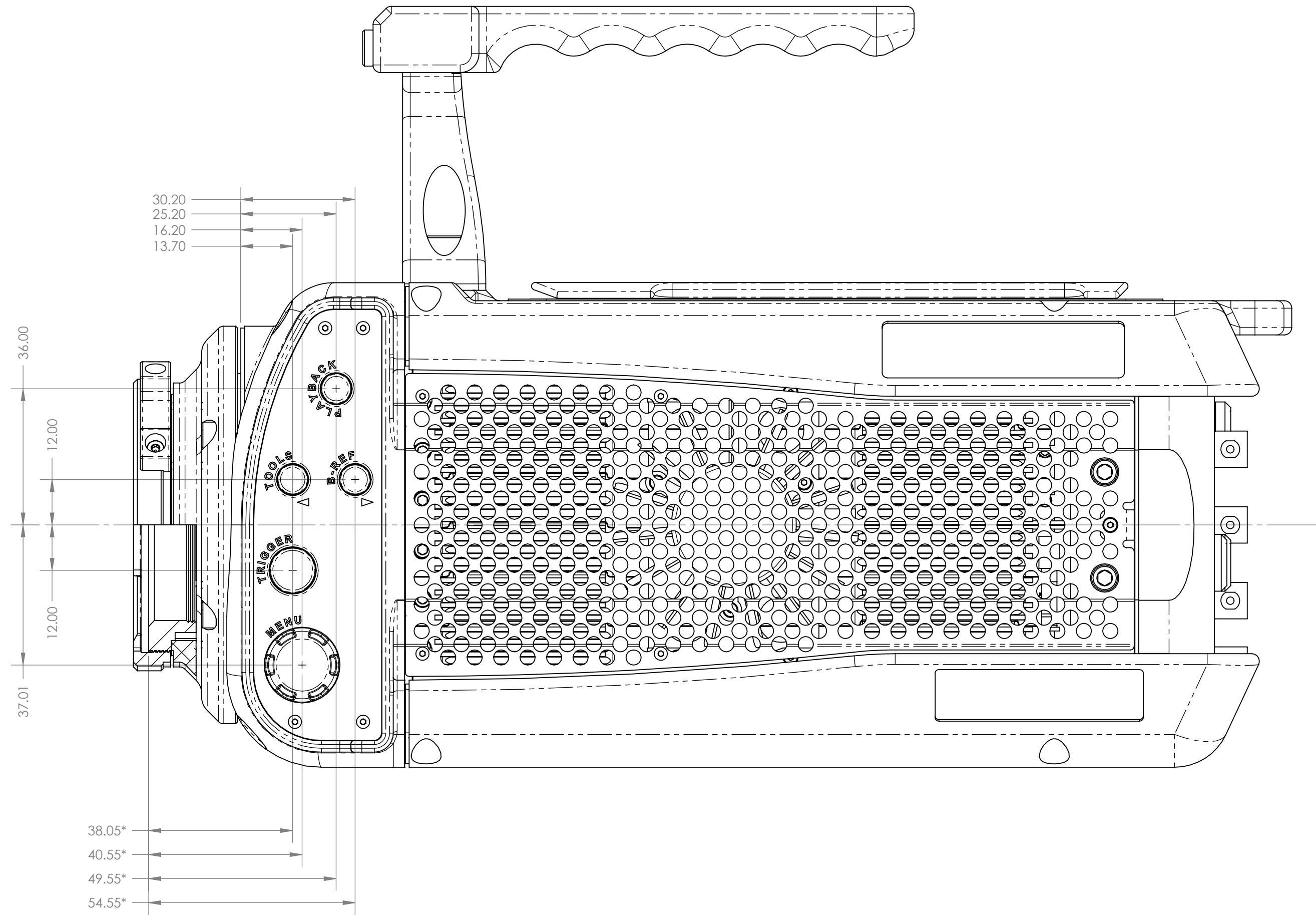
* - ALL VALUES MAKRED ARE BASED UPON 52.00mm BACKFOCUS DISTANCE,
LOW PASS FILTER INSTALLATION INCREASES THESE VALUES

PROPRIETARY AND CONFIDENTIAL THE INFORMATION CONTAINED IN THIS DRAWING IS THE SOLE PROPERTY OF VISION RESEARCH. ANY REPRODUCTION IN PART OR AS A WHOLE WITHOUT THE WRITTEN PERMISSION OF VISION RESEARCH IS PROHIBITED.	UNLESS OTHERWISE SPECIFIED:		NAME	DATE	VISION RESEARCH 100 Dey Road Wayne, New Jersey 07470 USA 973-696-4500 TITLE: FLEX 2K CUSTOMER DRAWING	
	DIMENSIONS ARE IN MM		DRAWN	PJ		6-23-10
	TOLERANCES:		CHECKED			
	FRACTIONAL: ±1/64		ENG APPR.			
ANGULAR: MACH ±0.5		MFG APPR.			SCALE 1:5	
ONE PLACE ±0.25		Q.A.				
TWO PLACE ±0.13					SIZE DWG. NO. REV C VRI-FLEX2K T	
INTERPRET GEOMETRIC TOLERANCING PER:					SHEET 1 OF 5	
MATERIAL						
FINISH						
NEXT ASSY	USED ON	APPLICATION				
		DO NOT SCALE DRAWING				



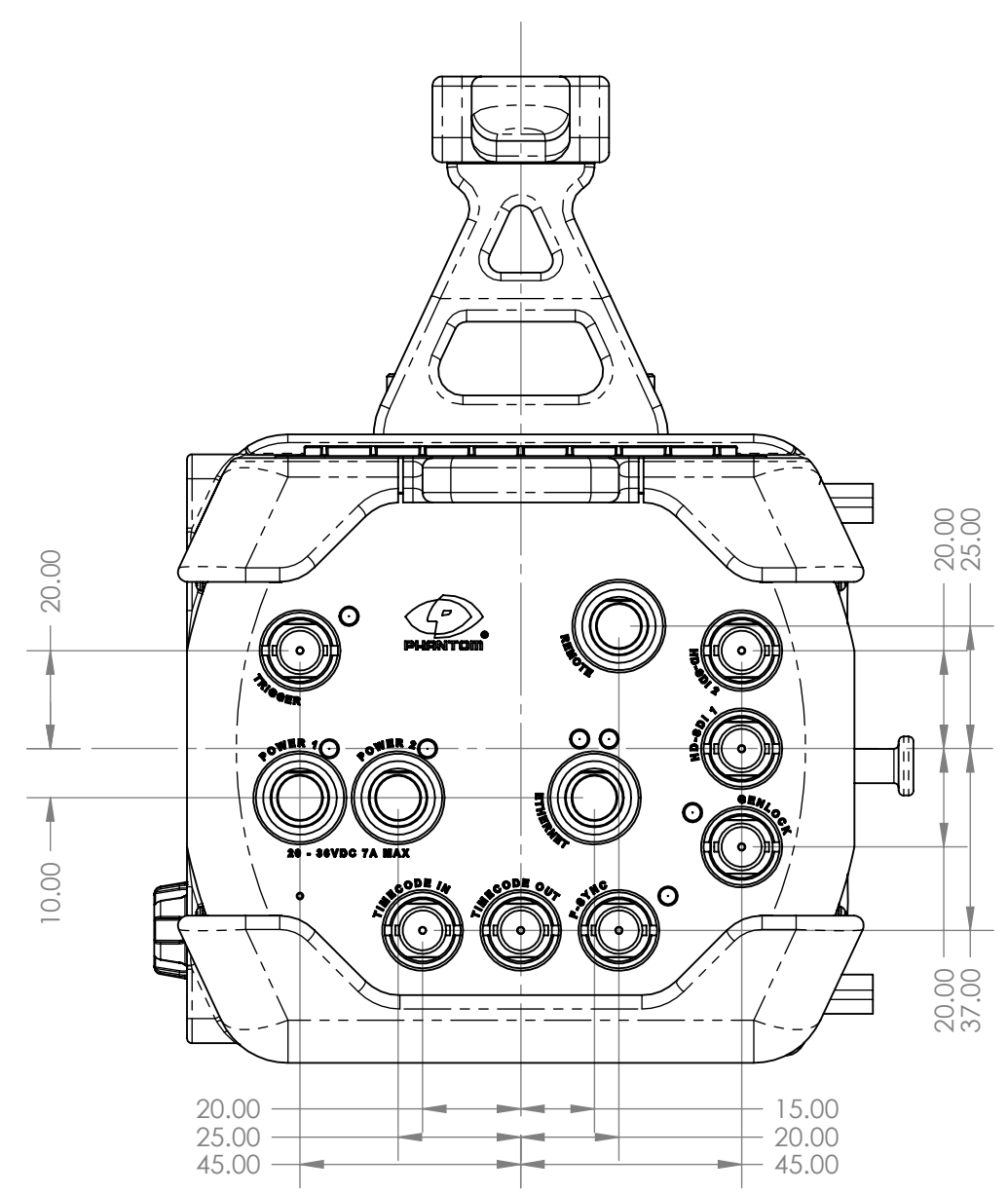
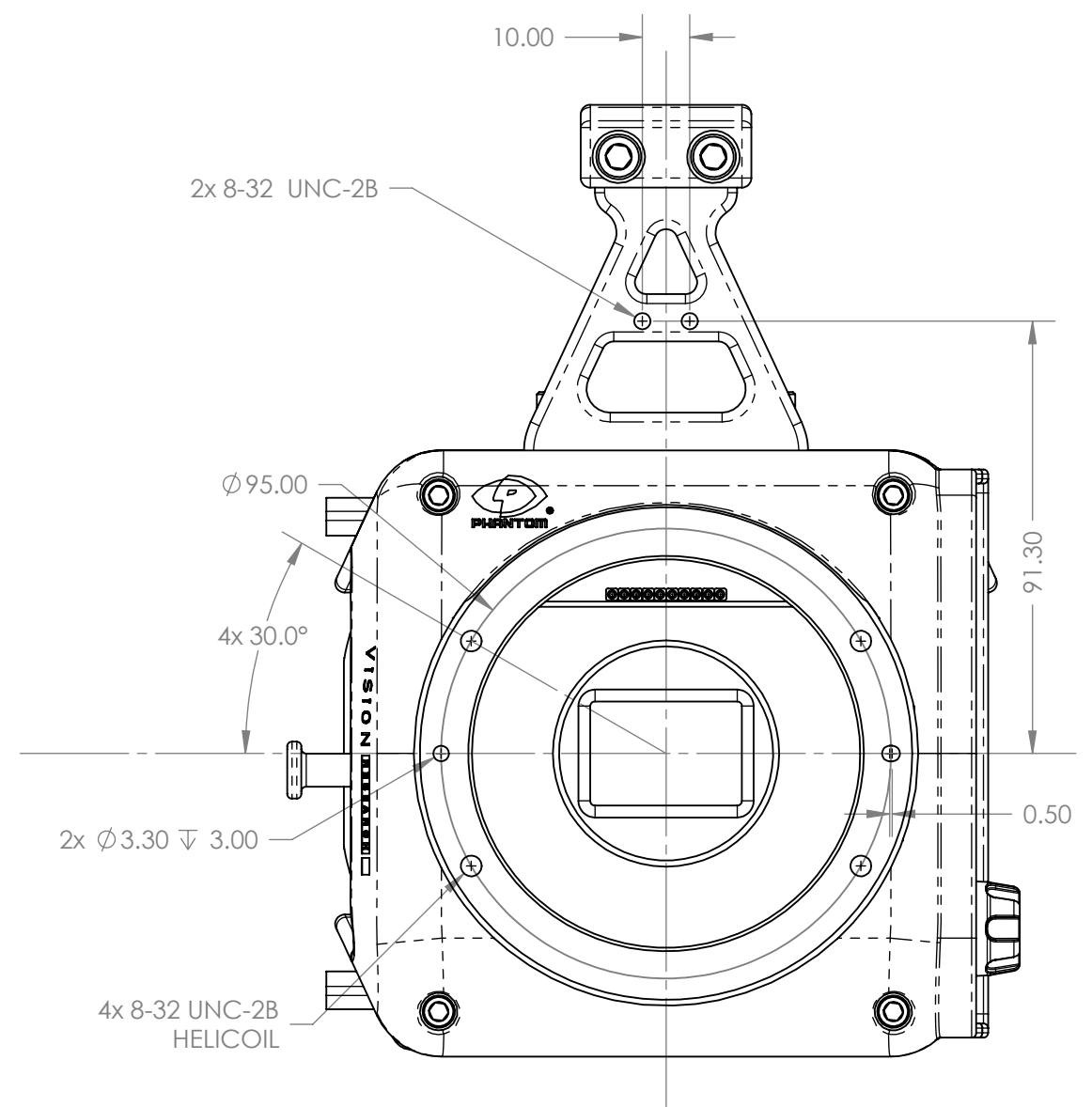
* - ALL VALUES MARKED ARE BASED UPON 52.00mm BACKFOCUS DISTANCE, LOW PASS FILTER INSTALLATION INCREASES THESE VALUES

PROPRIETARY AND CONFIDENTIAL THE INFORMATION CONTAINED IN THIS DRAWING IS THE SOLE PROPERTY OF VISION RESEARCH. ANY REPRODUCTION IN PART OR AS A WHOLE WITHOUT THE WRITTEN PERMISSION OF VISION RESEARCH IS PROHIBITED.		UNLESS OTHERWISE SPECIFIED: DIMENSIONS ARE IN MM TOLERANCES: FRACTIONAL: ±1/64 ANGULAR: MACH ±0.5 ONE PLACE ±0.25 TWO PLACE ±0.13		NAME P.J.	DATE 6-23-10	VISION RESEARCH 100 Dey Road Wayne, New Jersey 07470 USA 973-696-4500 TITLE: FLEX 2K CUSTOMER DRAWING
NEXT ASSY		USED ON		DRAWN	ENG APPR.	
APPLICATION		DO NOT SCALE DRAWING				SCALE 1:5 SHEET 2 OF 5



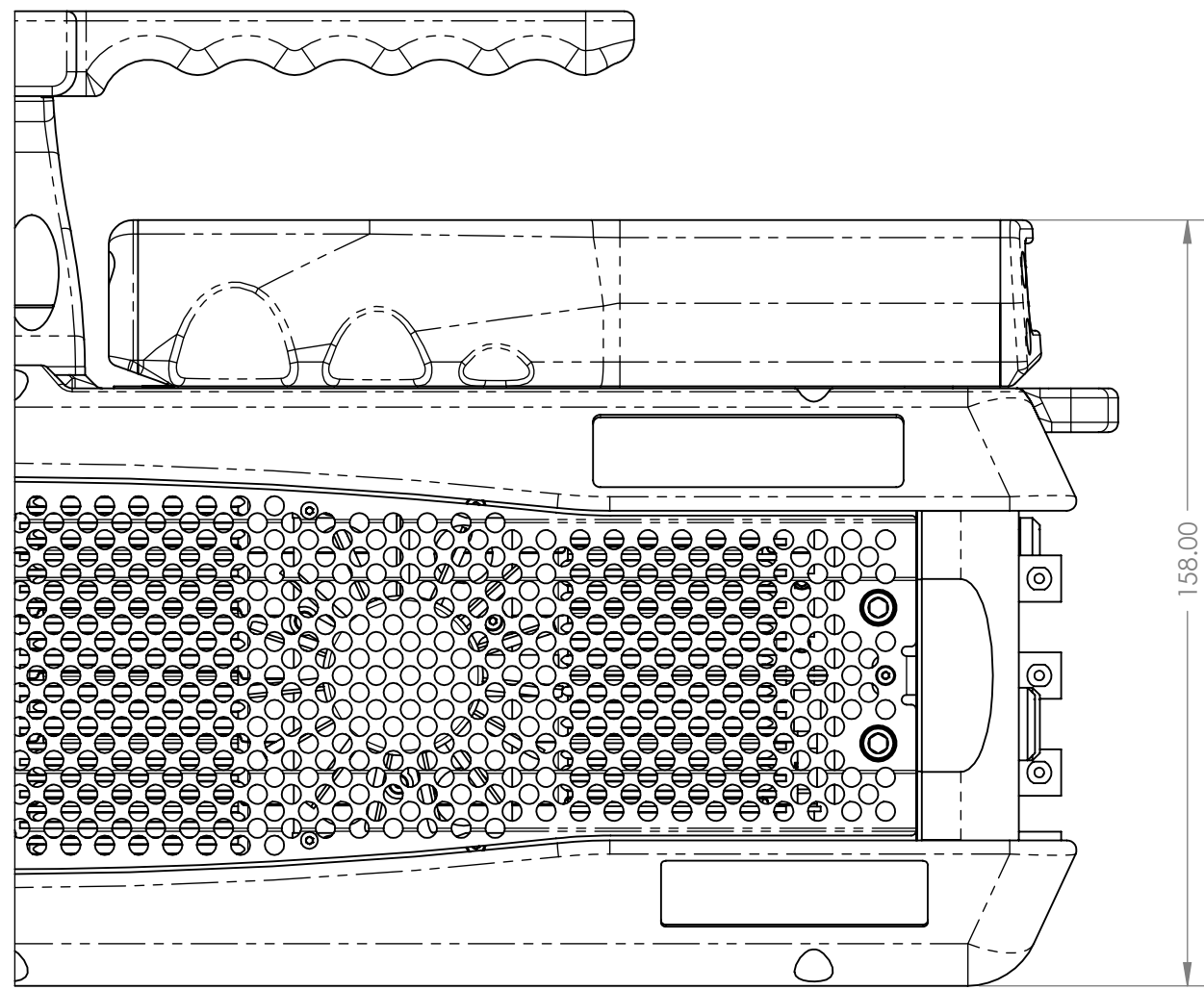
* - ALL VALUES MAKRED ARE BASED UPON 52.00mm BACKFOCUS DISTANCE,
LOW PASS FILTER INSTALLATION INCREASES THESE VALUES

PROPRIETARY AND CONFIDENTIAL THE INFORMATION CONTAINED IN THIS DRAWING IS THE SOLE PROPERTY OF VISION RESEARCH. ANY REPRODUCTION IN PART OR AS A WHOLE WITHOUT THE WRITTEN PERMISSION OF VISION RESEARCH IS PROHIBITED.		UNLESS OTHERWISE SPECIFIED: DIMENSIONS ARE IN MM TOLERANCES: FRACTIONAL ±1/64 ANGULAR: MACH ±0.5 ONE PLACE ±0.25 TWO PLACE ±0.13		NAME P.J.	DATE 6-23-10	VISION RESEARCH 100 Dey Road Wayne, New Jersey 07470 USA 973-696-4500 TITLE: FLEX 2K CUSTOMER DRAWING SIZE DWG. NO. REV C VRI-FLEX2K T SCALE 1:5 SHEET 3 OF 5
NEXT ASSY		USED ON		ENG APPR.	MFG APPR.	
APPLICATION		DO NOT SCALE DRAWING		Q.A.		

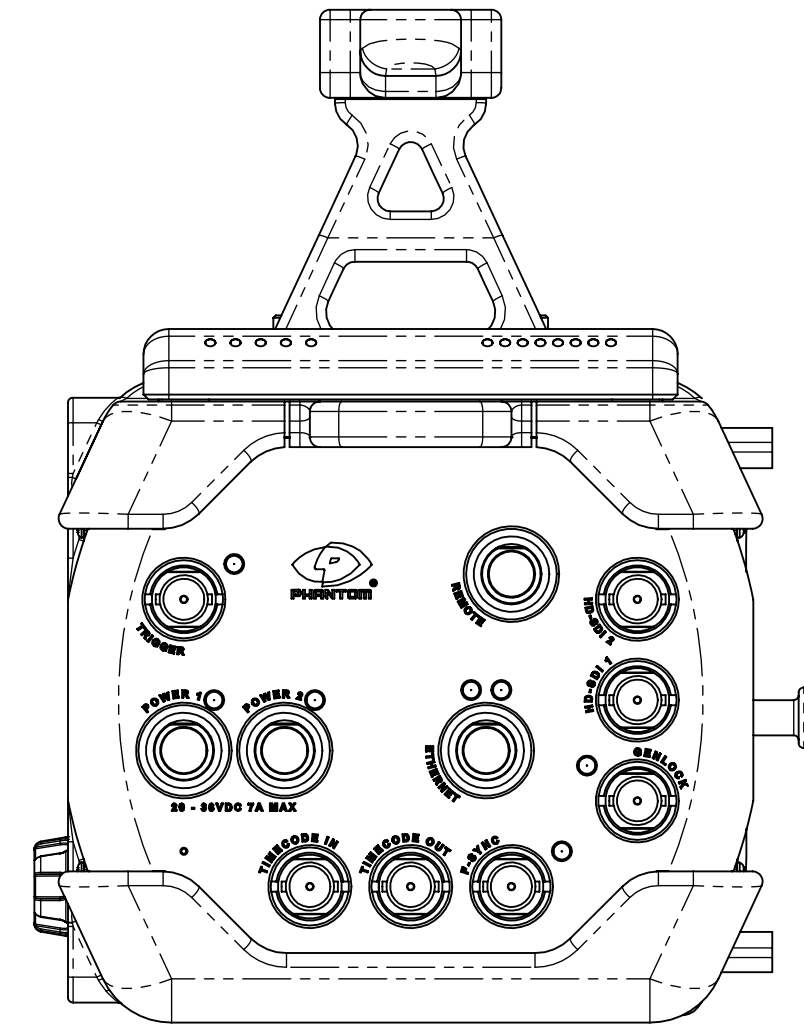
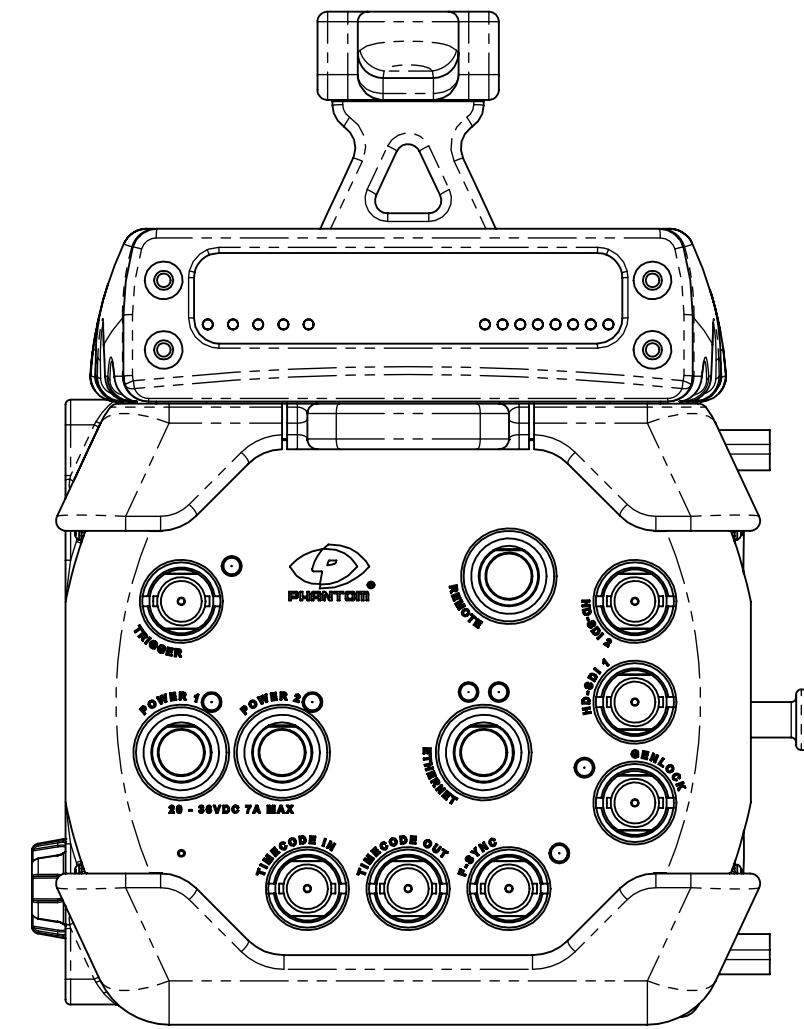
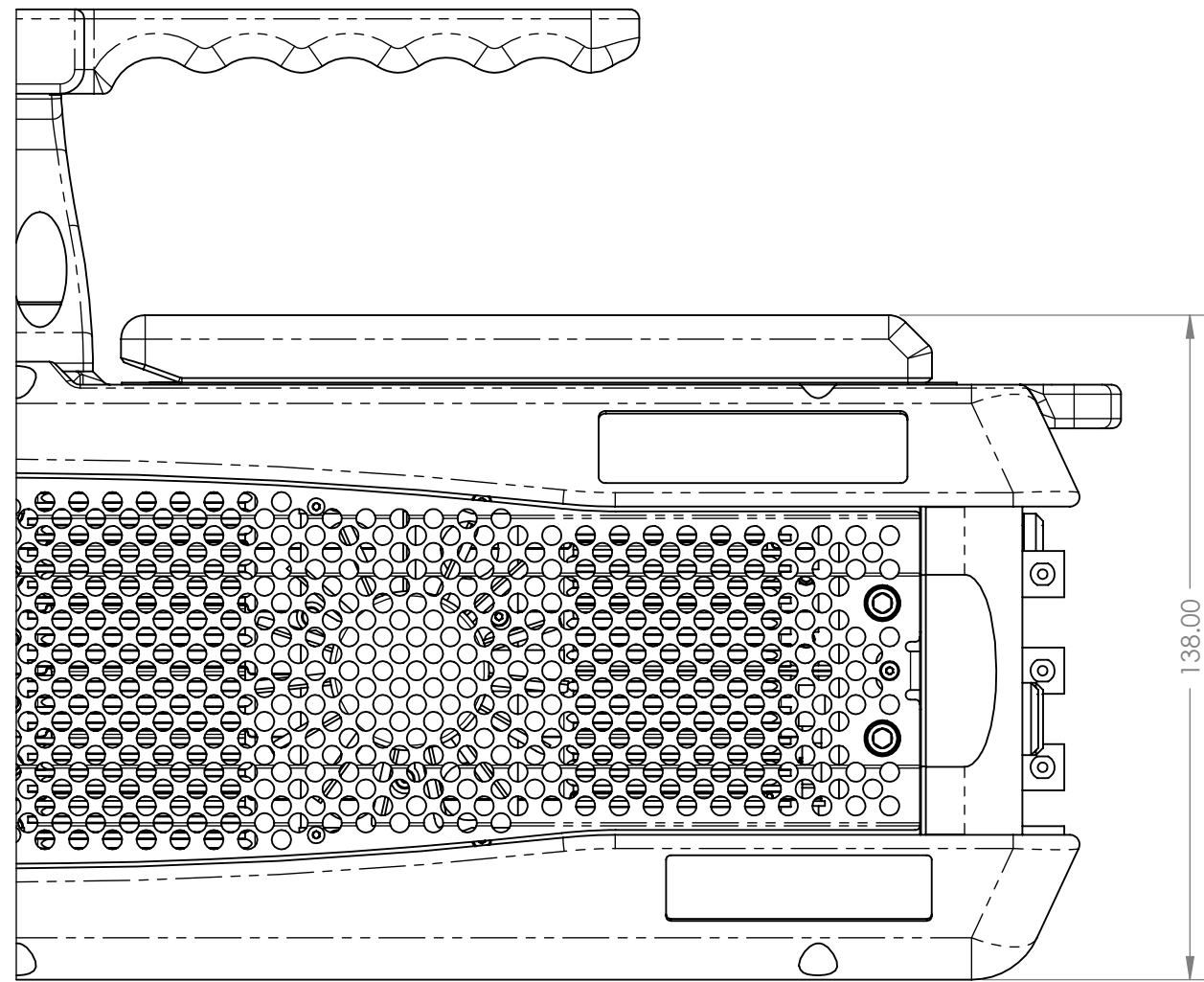


PROPRIETARY AND CONFIDENTIAL THE INFORMATION CONTAINED IN THIS DRAWING IS THE SOLE PROPERTY OF VISION RESEARCH. ANY REPRODUCTION IN PART OR AS A WHOLE WITHOUT THE WRITTEN PERMISSION OF VISION RESEARCH IS PROHIBITED.			UNLESS OTHERWISE SPECIFIED:	NAME	DATE	VISION RESEARCH 100 Dey Road Wayne, New Jersey 07470 USA 973-696-4500 TITLE: FLEX 2K CUSTOMER DRAWING	
			DIMENSIONS ARE IN MM TOLERANCES: FRACTIONAL: ± 1/64 ANGULAR: MACH ± 0.5 ONE PLACE: ± 0.25 TWO PLACE: ± 0.13	DRAWN	PJ		6-23-10
			INTERPRET GEOMETRIC TOLERANCING PER:	CHECKED			
			MATERIAL	ENG APPR.			
		FINISH		MFG APPR.			
	NEXT ASSY	USED ON	DO NOT SCALE DRAWING	Q.A.			
	APPLICATION					SIZE DWG. NO. REV C VRI-FLEX2K T	
				SCALE 1:5		SHEET 4 OF 5	

CINEMAG



CINEMAG2



PROPRIETARY AND CONFIDENTIAL
 THE INFORMATION CONTAINED IN THIS DRAWING IS THE SOLE PROPERTY OF VISION RESEARCH. ANY REPRODUCTION IN PART OR AS A WHOLE WITHOUT THE WRITTEN PERMISSION OF VISION RESEARCH IS PROHIBITED.

UNLESS OTHERWISE SPECIFIED:

DIMENSIONS ARE IN MM
 TOLERANCES:
 FRACTIONAL: ±1/64
 ANGULAR: MACH ±0.5
 ONE PLACE ±0.25
 TWO PLACE ±0.13

INTERPRET GEOMETRIC TOLERANCING PER:

MATERIAL

FINISH

DO NOT SCALE DRAWING

NAME	DATE
DRAWN PJ	6-23-10
CHECKED	
ENG APPR.	
MFG APPR.	
Q.A.	



VISION RESEARCH

100 Dey Road
 Wayne, New Jersey 07470 USA
 973-696-4500

TITLE:
FLEX 2K CUSTOMER DRAWING

SIZE DWG. NO. REV

C **VRI-FLEX2K** **T**

SCALE 1:5 SHEET 5 OF 5

NEXT ASSY	USED ON	APPLICATION