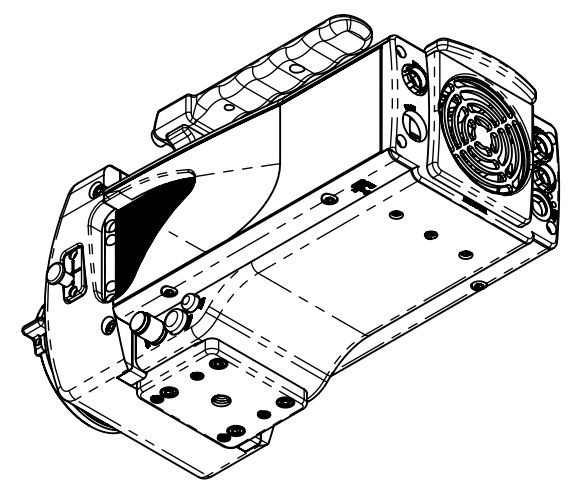
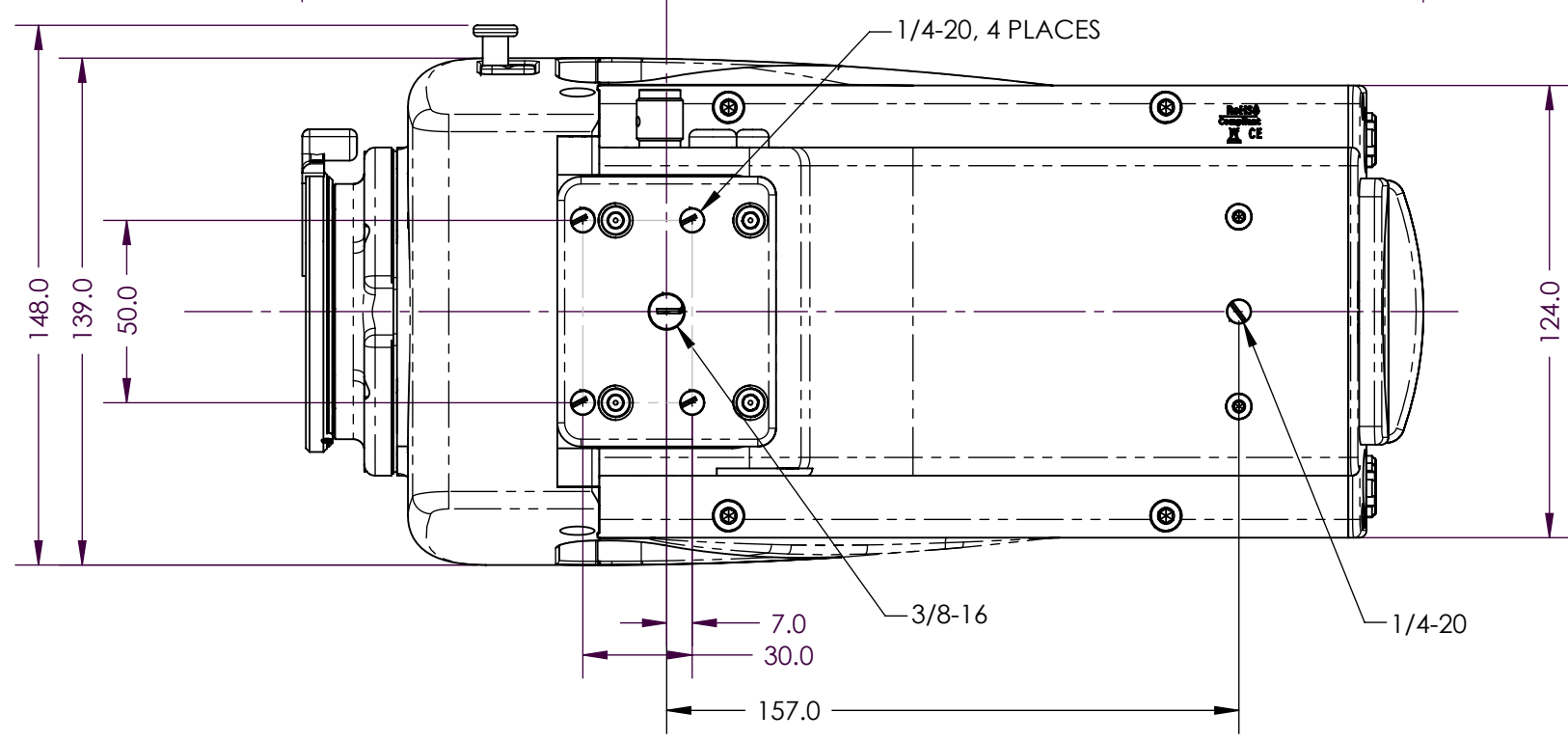
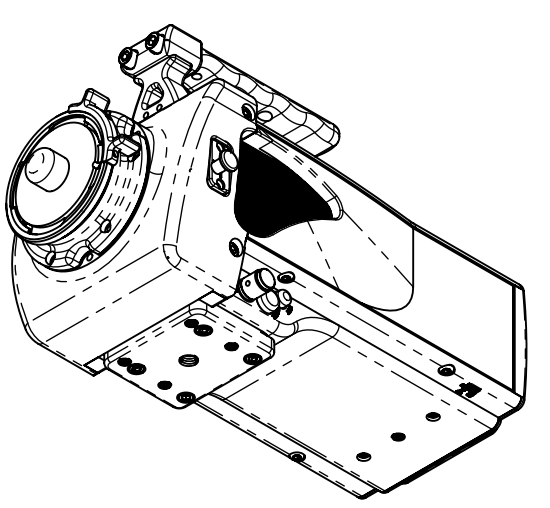
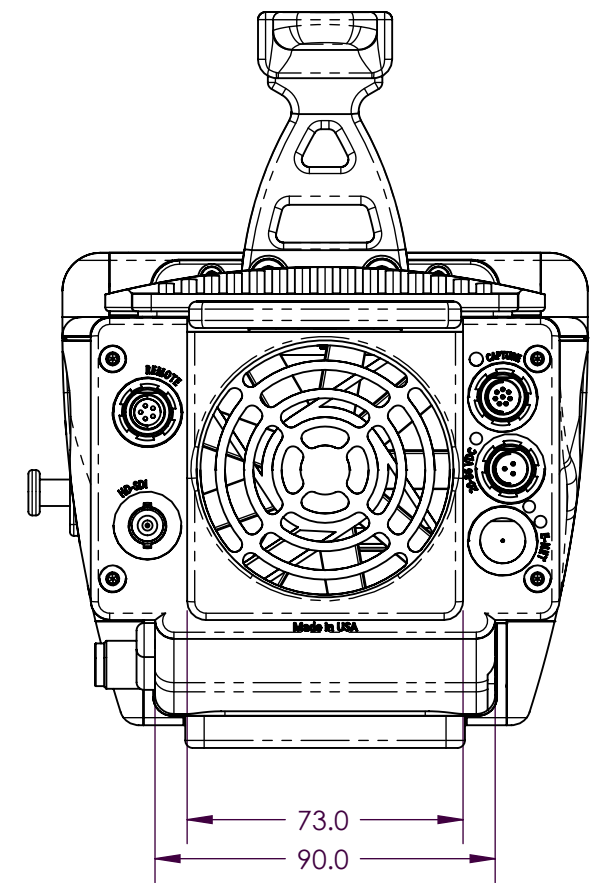
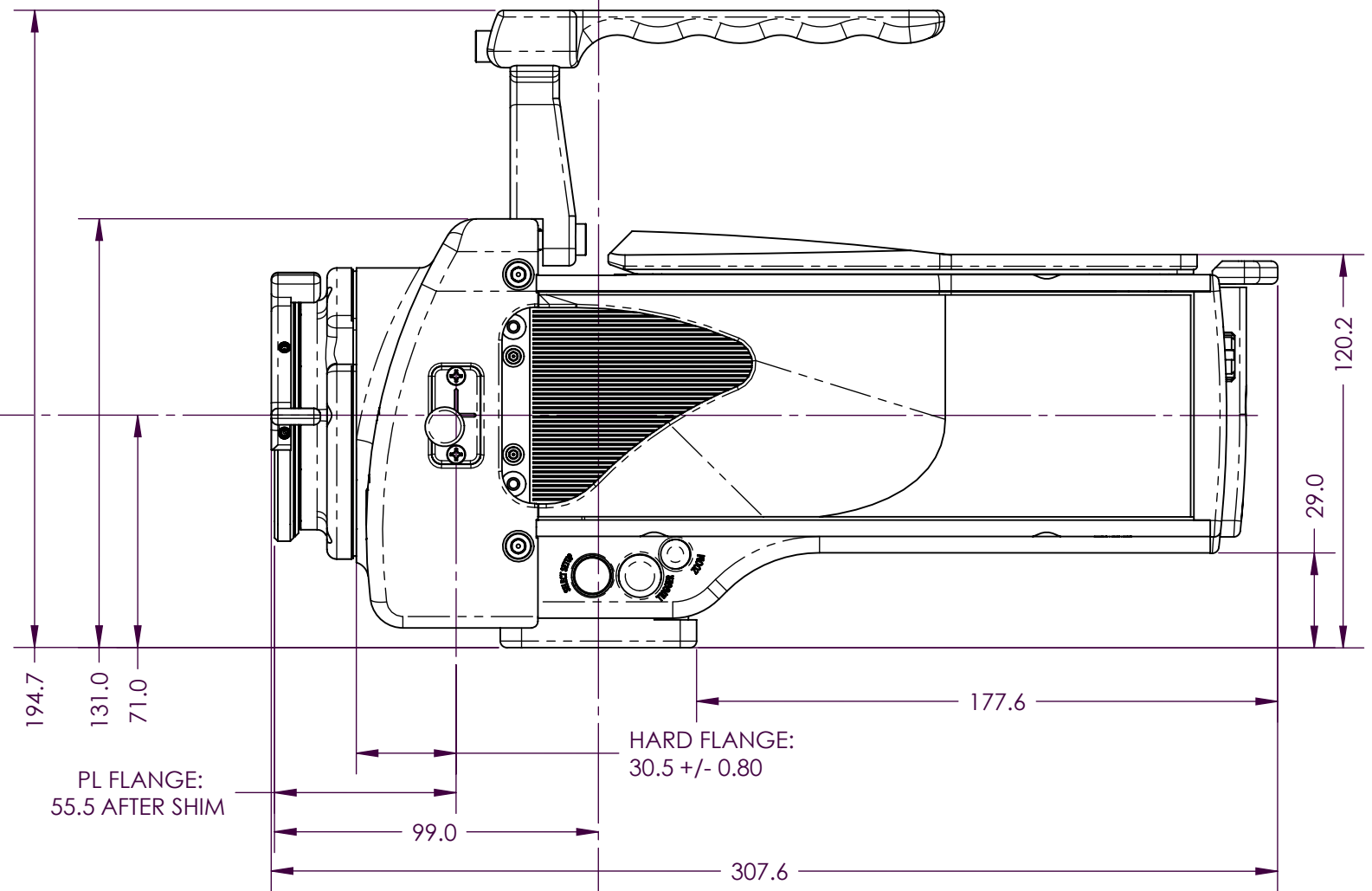
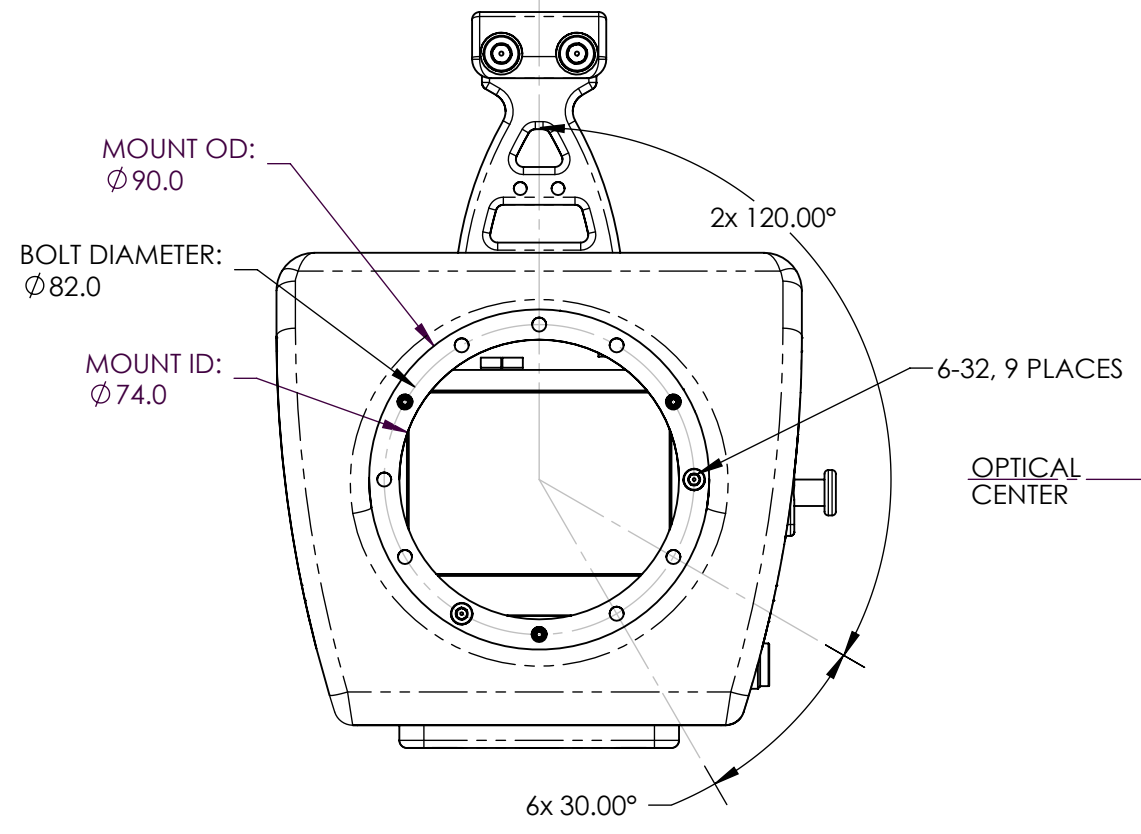
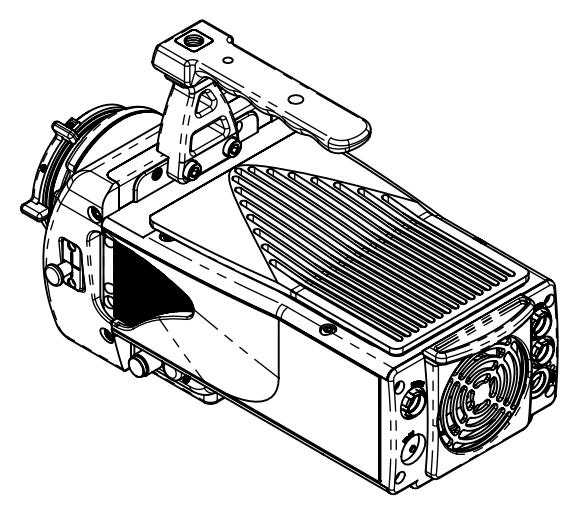
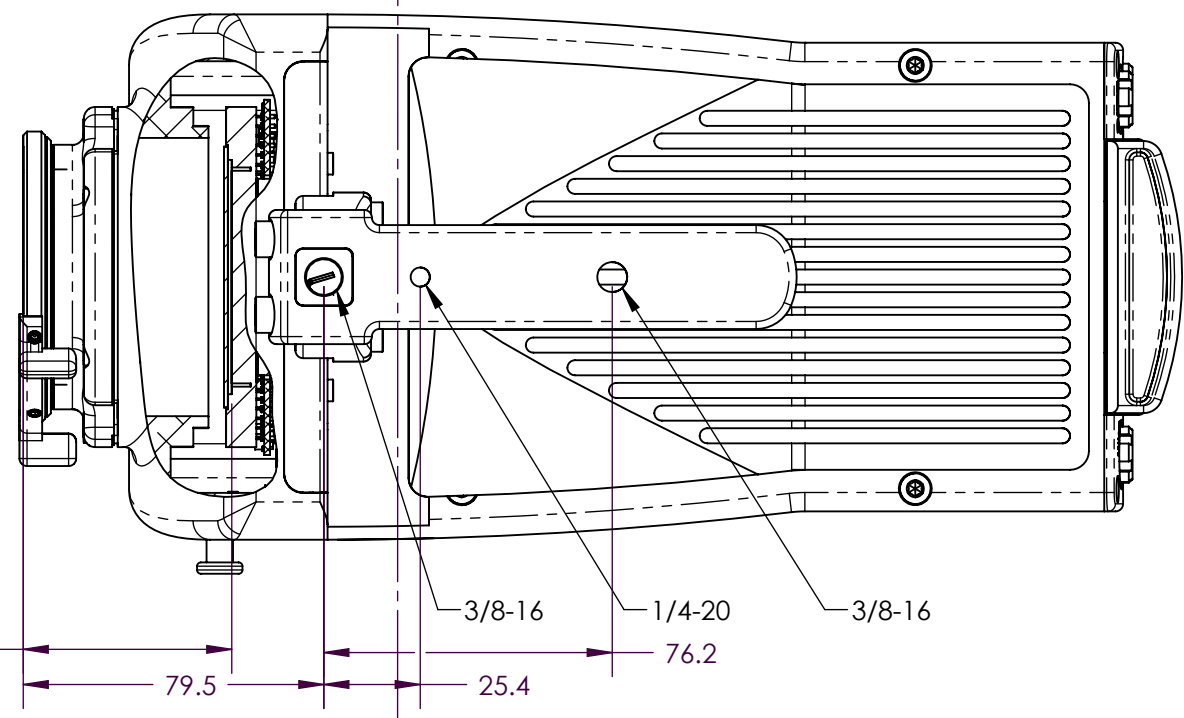
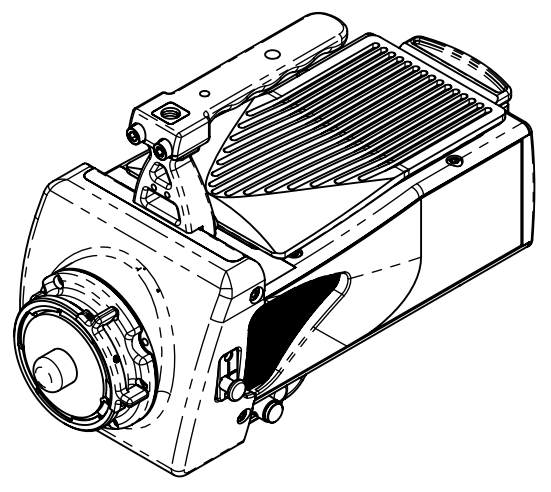


REVISIONS HISTORY			
REV.	DESCRIPTION	DRN BY	APP'D BY
1	INITIAL RELEASE	B.E.	10/22/08



**PROPRIETARY AND CONFIDENTIAL**  
 THE INFORMATION CONTAINED IN THIS DRAWING IS THE SOLE PROPERTY OF VISION RESEARCH. ANY REPRODUCTION IN PART OR AS A WHOLE WITHOUT THE WRITTEN PERMISSION OF VISION RESEARCH IS PROHIBITED.

UNLESS OTHERWISE SPECIFIED:  
 DIMENSIONS ARE IN MM  
 TOLERANCES:  
 FRACTIONAL: ±1/64  
 ANGULAR: MACH±0.5  
 ONE PLACE ±0.25  
 TWO PLACE ±0.13  
 INTERPRET GEOMETRIC TOLERANCING PER:  
 MATERIAL  
 FINISH  
 DO NOT SCALE DRAWING

NAME	B.E.	DATE	10/22/08
DRAWN	B.E.		
CHECKED			
ENG APPR.			
MFG APPR.			
Q.A.			

**VISION RESEARCH**  
 100 Dey Road  
 Wayne, New Jersey 07470 USA  
 973-696-4500

TITLE:  
**PHANTOM HD OUTLINE**

SIZE DWG. NO. REV  
**C** DOC-PRJLEG-CD-002 **1**

SCALE 1:1 SHEET 1 OF 1

NEXT ASSY	USED ON	APPLICATION